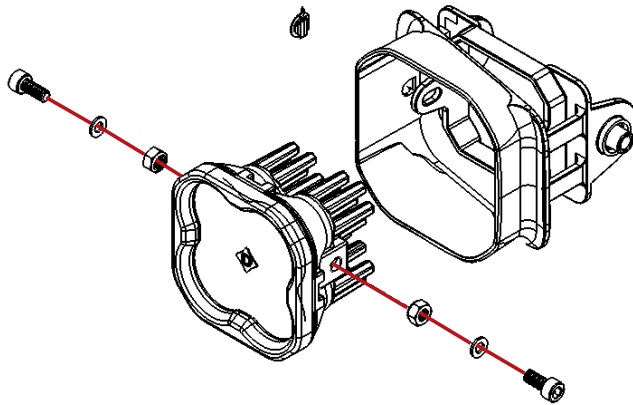




Thank you for your purchase of our new SS3 Type F2 Foglight Kit. CAD-designed to use existing mounting points, this kit is compatible with the 2015+ F-150 and 2017+F-250/F-350 models. Basic installation instructions are included below. **Please contact us if you have any questions.**



Driver/Left Side (opposite for passenger/right side)

1. Attach the bracket to the pod, using one screw on each side. The screws will also determine the aim of your SS3 pods. See diagrams above and to the right. There will be a small gap between the pod and bracket to allow for aiming.

COMPUTER DESIGNED
OEM FITMENT



See back for further instructions.

2. If there is a bracket blocking the fog light bezel, remove the bolts holding it in place. Remove the fog light bezel from the bumper by removing the bolts holding it in place and disconnecting the fog light harness.

3. Remove the adjustment screw from the fog light housing. Remove the factory fog light housing by prying up on the retainer clips holding it in place.

NOTE: The adjustment screw won't be reused.

4. Install the SS3 bracket on to the factory bezel by flexing the retainer clips on the bezel as required.

5. Reinstall the factory fog light bezel, by replacing the original bolts. Plug the SS3 into the factory fog light harness using the included DT wire adapter. Test function. If the light does not turn on, try flipping the connector 180°.

6. Adjust and aim the fog light according to your local and state laws. To adjust, loosen the screws on the sides of the bracket, aim, and re-tighten. In general, fog lamps should be angled slightly downwards to illuminate the area directly in front of the vehicle, below your headlamps.

7. Use the included rubber grommets to cover the adjustment screws to complete the installation.

Please contact **Diode Dynamics** should you have any questions about the installation or wiring process, at **314-205-3033** (9a-5p CST) or **contact@diodedynamics.com**.

NEED MORE HELP?

Scan the QR code to link to our YouTube Channel!

We continuously bring in vehicles to our testing garage in order to create step-by-step videos to walk you through the installation process on your specific vehicle. Scan the QR code to see all our installation videos. Be sure to subscribe to our channel to stay up-to-date on the newest products and videos from Diode Dynamics!

YouTube



This installation guide is for the following SKUs:

DD6237 Worklight SS3 Sport Type F2 Kit White Driving

DD6238 Worklight SS3 Sport Type F2 Kit White Fog

DD6240 Worklight SS3 Sport Type F2 Kit Yellow Fog

DD6241 Worklight SS3 Pro Type F2 Kit White Driving

DD6242 Worklight SS3 Pro Type F2 Kit White Fog

DD6244 Worklight SS3 Pro Type F2 Kit Yellow Fog

**100% SATISFACTION
GUARANTEE**

