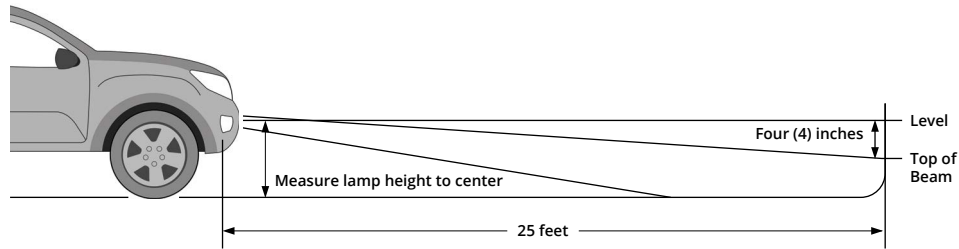


Aiming Instructions

9. Park your vehicle 25 feet away from a wall or garage door on a level surface.
10. On your vehicle, measure the distance between the ground and the center of your SS3 pod. This is your mounting height.
11. Mark the mounting height on the wall or garage door using tape.
12. Add another piece of tape four inches below the mounting height. This is your fog light cutoff line.
13. Aim your SS3 pods on each side, so that the top of the beam pattern is on the cutoff line mark. To do so, use a Phillips head screwdriver to adjust the depth of the adjustment screw.
14. If removed, reinstall the fender liner to complete installation.



Please contact **Diode Dynamics** should you have any questions about the installation or wiring process, at **314-205-3033** (10a-5p CST) or contact@diodedynamics.com.

NEED MORE HELP?

Scan the QR code to link to our YouTube Channel!

We continuously bring in vehicles to our testing garage in order to create step-by-step videos to walk you through the installation process on your specific vehicle. Scan the QR code to see all our installation videos. Be sure to subscribe to our channel to stay up-to-date on the newest products and videos from Diode Dynamics!

YouTube



This installation guide is for the following SKUs:

SS3 Sport Type CH Kit White SAE Driving (DD7293 W/O BL, DD7301 ABL)
 SS3 Sport Type CH Kit White SAE Fog (DD7294 W/O BL, DD7302 ABL)
 SS3 Sport Type CH Kit Yellow SAE Fog (DD7295 W/O BL, DD7303 ABL)
 SS3 Pro Type CH Kit White SAE Driving (DD7296 W/O BL, DD7304 ABL)

SS3 Pro Type CH Kit White SAE Fog (DD7297 W/O BL, DD7305 ABL)
 SS3 Pro Type CH Kit Yellow SAE Fog (DD7298 W/O BL, DD7306 ABL)
 SS3 Max Type CH Kit White SAE Fog (DD7299 W/O BL, DD7307 ABL)
 SS3 Max Type CH Kit Yellow SAE Fog (DD7300 W/O BL, DD7308 ABL)

STAGE
SERIES
 RALLY-QUALIFIED LED LIGHTING

SS₃ 3" LED Pod
 Type CH Foglight Kit

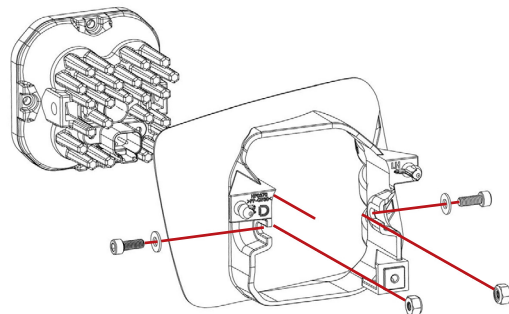
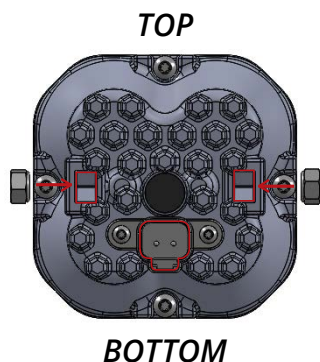


Thank you for your purchase of our new SS3 Type CH Foglight Kit. CAD-designed to use existing mounting points, this kit is compatible with many Chevrolet and GMC models. Basic installation instructions are included below.

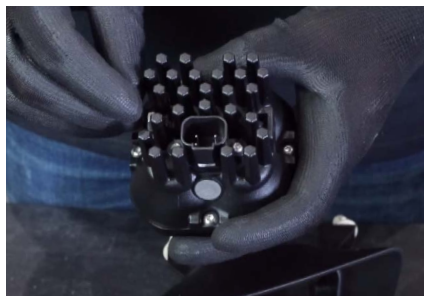
Please contact us if you have any questions.

COMPUTER DESIGNED
OEM FITMENT

ASSEMBLED IN
USA



Driver/Left Side (opposite for passenger/right side)



1. Install the supplied nuts into the pod housing with the nylon facing inward. Attach the bracket to the pod using the supplied screws and washers. Make sure the bracket is in the correct orientation, and the lamp angle matches the bracket. The side of the vehicle is indicated on the back of the bracket. See diagrams above.



2. Access your factory fog lamps under the vehicle or by peeling back the fender liner. Unplug the factory fog lamp connector.



3. Remove the factory fog lamp housing.

If your vehicle has clips securing the wire harness to the fog lamp bracket, remove those using a plastic trim removal tool.

Some vehicles may have bolts securing the fog lamp to the bumper. These will need to be removed with a 7mm socket and ratchet.

Other vehicles use ball clips to hold the fog lamp to the bumper. Use a flat head screwdriver to depress these clips and pull the fog lamp out through the front of the bumper.



4. Remove the ball clips from the factory fog light brackets.



5. Install the included mounting clips into the adjustment screw hole and reinstall the factory adjustment screw. This adjustment screw will be used to aim your SS3s. Then install the factory ball clips onto your new SS3 brackets.

6. Install your assembled bracket and pod onto the vehicle. If applicable, reinstall any factory bolts and clips.

7. Use the included wire adapters to connect the pod to the vehicle wiring harness. Test function. If the light does not turn on, try flipping the connector 180°.

If you purchased backlit SS3 pods, connect the backlight power wire to a fused 12V source to trigger the backlight feature (i.e. parking light or sidemarker); T-Taps are included for this purpose. Check local laws and regulations for on-road use of backlight feature.

NOTE: Power source must be fused. Do not connect directly to vehicle battery.

8. Repeat the steps on the other side of the vehicle.

See back for aiming instructions.