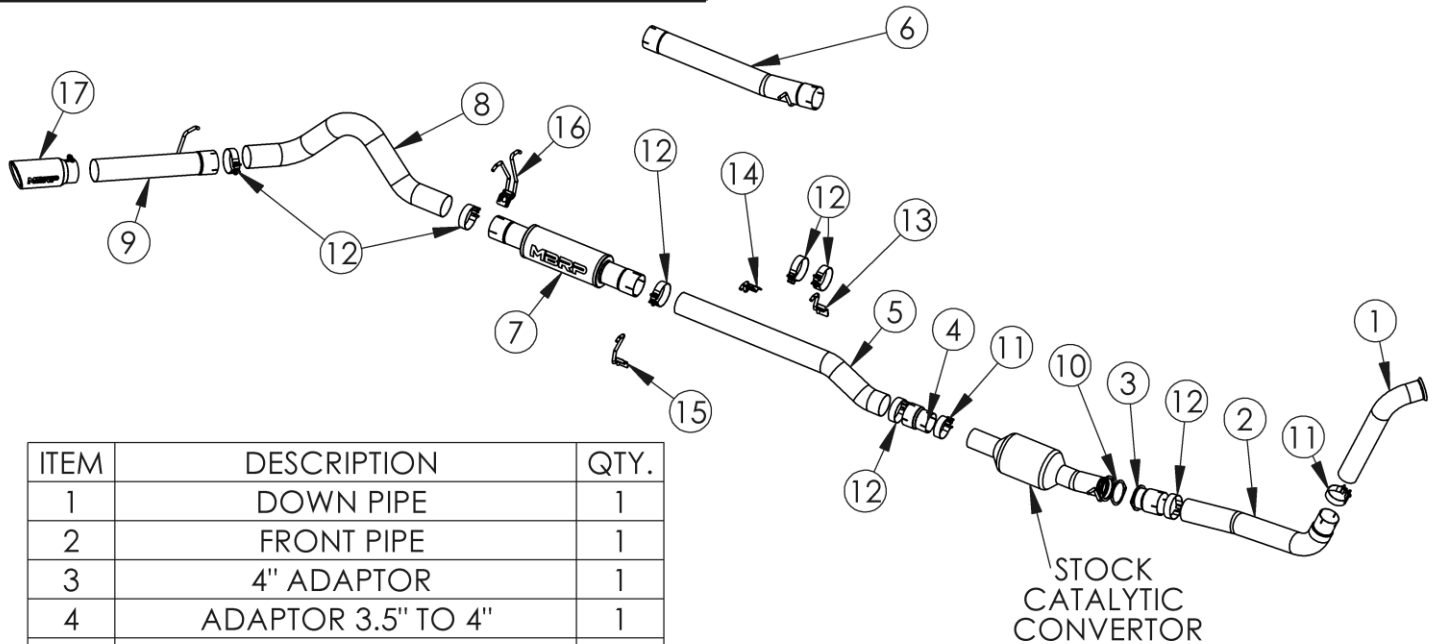


# S6212

2003-2007 FORD F250/350,  
EXCLUDES REGULAR CAB, 6.0L POWERSTROKE,  
TURBO BACK, (RETAINS FACTORY OR  
APPROVED CAT ) 4" SINGLE SIDE

# MBRP®



ITEM	DESCRIPTION	QTY.
1	DOWN PIPE	1
2	FRONT PIPE	1
3	4" ADAPTOR	1
4	ADAPTOR 3.5" TO 4"	1
5	EXTENSION PIPE	1
6	ADAPTOR PIPE	1
7	MUFFLER	1
8	OVER AXLE PIPE	1
9	TAIL PIPE	1
10	GASKET	1
11	3.5" BAND CLAMP	2
12	4" BAND CLAMP	7
13	HANG TIGHT™ HANGER	1
14	HANG TIGHT™ HANGER	1
15	HANG TIGHT™ HANGER	1
16	DUAL HANG TIGHT™ HANGER	1
17	EXHAUST TIP	1

\*NOTE: MUFFLER MAY NOT  
BE EXACTLY AS SHOWN

## PLEASE READ BEFORE STARTING INSTALLATION

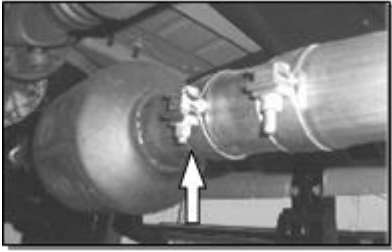
While MBRP has made every effort to ensure that all components of this system are of superior quality and properly packaged, it is the installer's responsibility to ensure the following before removal of the factory exhaust:

- that ALL components shown above are present.
- that ALL mating components fit together.
- that there are no damaged components.
- that the system you have purchased is appropriate for your vehicle year, model and configuration.
- that the system will not interfere with any modifications previously installed or planned.
- that you have read and understand these instructions.

If you have any questions or are uncertain about any aspect of the installation of this system to your vehicle please contact your dealer before commencing installation.

# MBRP

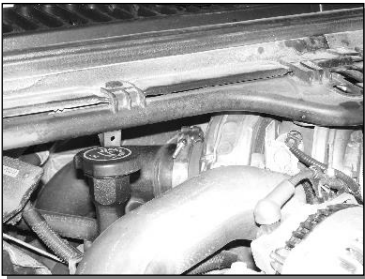
## Removal of Stock System:



**Figure 1**



**Figure 2**



**Figure 3**

1. Apply a penetrating lubricant liberally to all exhaust fasteners, hangers and rubber insulators.

2. Loosen the nut on the band clamp located behind the catalytic converter.

**See Figure 1.**

3. Remove the muffler and tail pipe from the OEM rubber hangers. To remove the system in one piece, on 03-04 models, the bottom shock bolt of the passenger side shock must be removed. **This is not required on 05 or 06 models.** Separate the stock exhaust at the slip joint located behind the catalytic converter and remove the muffler and tail pipe from under the truck. Re-install the bottom shock bolt.

4. Remove the catalytic converter by removing the two nuts holding the inlet flange together using a 15mm wrench or socket. Retain the nuts for the re-installation of the catalytic converter. **See Figure 2.**

5. Remove the down pipe from the turbo by removing the band clamp. Retain the band clamp for the installation of the new down pipe. **See Figure 3.** Cut the down pipe in front of the transmission cross member to remove. (**Note:** The stock down pipe can be removed in one piece by removing the transmission cross member. MBRP recommends that this procedure only be done by qualified, trained professionals using tools and equipment designed to safely carry out this process.)

## Installation of MBRP Performance Exhaust Retains Stock Cat

**Note: Vehicles originally equipped with a catalytic converter must retain the factory catalytic converter. Removal of the catalytic converter may be a violation of federal or local regulations.**

1. Install the **Down Pipe** in the same position as the stock down pipe and attach the flared end to the turbo using the stock band clamp. Do not fully tighten until all components are in place. **See Figure 4.**



**Figure 4**

# MBRP



**Figure 5**

2. Attach the **Front Pipe** to the **Down Pipe** using a **3.5" Band Clamp** to secure the slip joint.  
**See Figure 5.**

3. Attach the **4" Adaptor** to the front pipe with a **4" Band Clamp**.

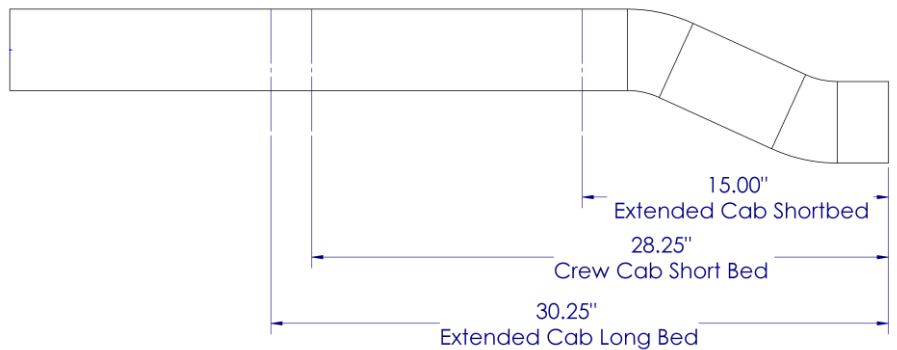
4. Attach the factory catalytic converter to the **4" Adaptor** by placing the **Gasket** supplied between the flanges and installing the two nuts that were removed previously.  
**See Figure 6.**

5. Attach the **Adaptor 3.5" to 4"** to the outlet of the Catalytic Converter using a **3.5" Band Clamp**.

6. Install the **Extension Pipe** into the **Adaptor 3.5" to 4"**. **See Figure 7.** The **Extension Pipe** provided is pre-cut for the crew cab long bed configuration. All other configurations will require this pipe to be cut.



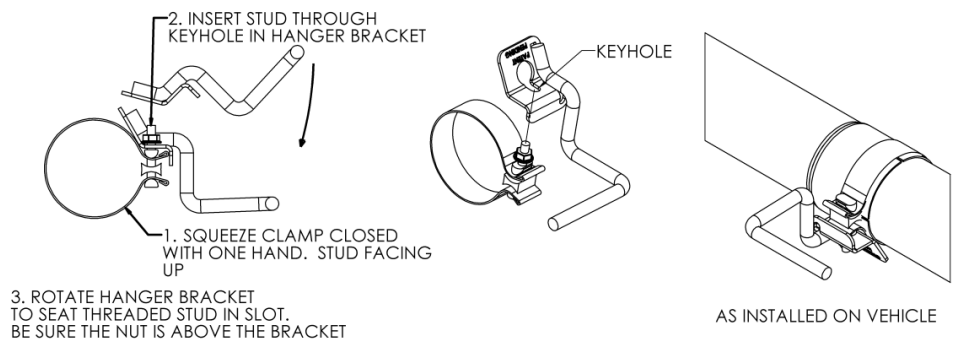
**Figure 6**



7. Install the **Hang Tight™ Hangers** onto **4.0" Band Clamp** using the procedure shown below. (Hang Tight™ Hanger not exactly as shown).



**Figure 7**



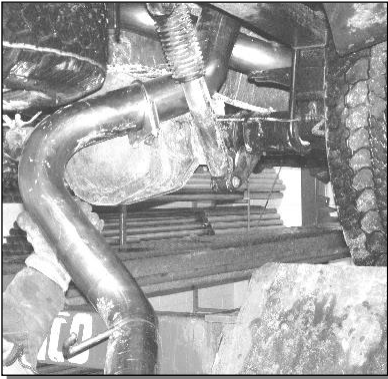
# MBRP



**Figure 8**

8. Install the appropriate **Hang Tight™ Hanger** over the **Extension pipe** and into the OEM rubber hanger. Install the **Muffler** over the **Extension Pipe** using the next **Hang Tight™ Hanger**. Install the **Dual Hang Tight™ Hanger** into the two OEM rubber hangers located above the outlet of the Muffler. **See Figure 8.**

9. Slide the **4" Band Clamp** and **Tail Pipe** onto the **Over Axle Pipe**. Install the assembly from the rear of the truck, over the axle and attach to the **Muffler Outlet**. Install the **Tail Pipe** hanger into the OEM hanger, then adjust for best axle clearance and **Tail Pipe** exit location to complete. **See Figure 9.**



**Figure 9**

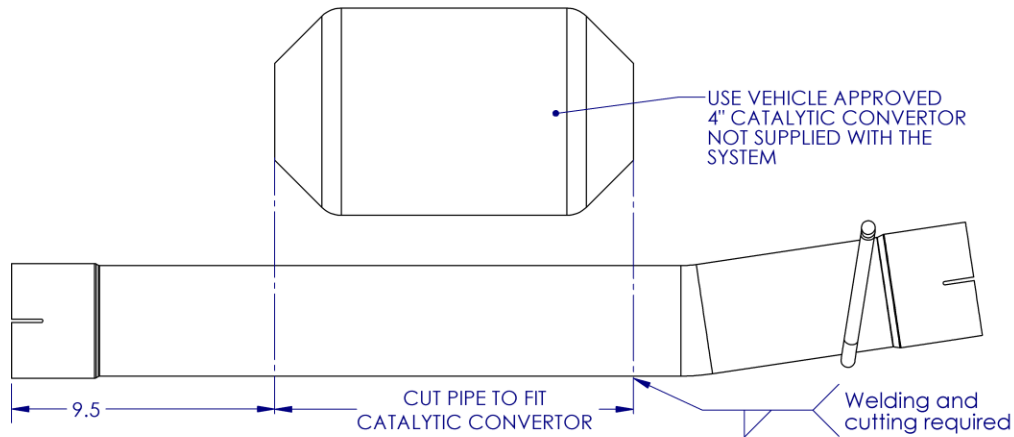
10. Install the **Exhaust Tip** to suit then tighten lock bolt located on **Exhaust Tip**.

11. Align the edge of each band clamp with the edge of the joint it is connecting. Tighten all hardware and clamps, starting at the front and working rearward to secure the system. Check along the full length of the exhaust system to ensure there is adequate clearance for fuel lines, vent lines, brake lines, frame, bodywork, suspension, and any wiring, etc. If there is any interference detected, relocate, or adjust to provide adequate clearance. Ensure all clamp connections are secure and components are unable to rotate or slide. Band clamps require approximately 45 lb-ft (60 N-m) of torque. Verify clearances, system security and band clamp torque after 30-60 miles (50-100 km) of driving.

## **Installation of MBRP Performance Exhaust Replaces Stock Cat**

1. If the Catalytic Converter needs to be replaced use the **Adaptor Pipe** provided and a Catalytic Converter (Not included) **See Figure 10.** Cutting and welding are required.

# MBRP



ADAPTOR PIPE TO WORK WITH 4" CATALYTIC CONVERTORS  
MAGNAFLOW 60011 (Federal compliance) or comparable  
product.  
Check and follow regulations where your vehicle is registered  
before proceeding.

Figure 10

2. Follow the **Installation of MBRP Performance Exhaust Retains Stock Cat** but use the new welded Catalytic Converter & **Adaptor Pipe** instead of the items used in Steps (3-5). The **Adaptor Pipe** Assembly attaches to the **Front Pipe** with a **4" Band Clamp**. The **Extension Pipe** can be installed directly to the **Adaptor Pipe** Assembly with a **4" Band Clamp**.



**Congratulations!** You are ready to begin experiencing the improved power, sound and driving experience of your **MBRP** performance exhaust system. We hope you enjoy your purchase.