

11. Repeat steps 7 through 9 to install the rivnut on the other side of the vehicle.
12. Then reverse steps 2 through 4 to reinstall the grille.
13. Using a 10mm socket and wrench, secure the brackets back onto the frame rail. Use the included 20mm M6 flange bolts and oversized washers on the top of the brackets to secure them to the rivnuts. Then use the included M6 20mm flange bolts, oversized square washers, and flange nuts to secure the brackets to the lower portion of the frame rail.
14. Reverse step 5 to reinstall the front underbody cladding.
15. If installing two pods, use the included universal mount brackets and hardware to install directly onto the base brackets.



Driver-side bracket

16. If installing the 4-pod CrossLink lightbar, use a 5mm Allen key, 10mm wrench, and the provided 16mm M6 screws, washers, and flange nuts to install the SS5 CrossLink universal brackets onto the base brackets.

17. Assemble your lightbar using the included CrossLink lightbar instructions.

18. Mount the assembled SS5 lightbar onto the brackets securing it loosely with the provided M6 hardware.
19. Connect the light(s) to the included wiring harness. Route the wiring harness to the battery and connect the ring terminals to the positive and negative battery terminals. Use the included toggle switch and run it into your cabin. All power sources must be fused.
20. Secure the wires, test thoroughly, and tighten all hardware to complete your installation.

### NEED MORE HELP?

Scan the QR code to link to our YouTube Channel!

We continuously bring in vehicles to our testing garage in order to create step-by-step videos to walk you through the installation process on your specific vehicle. Scan the QR code to see all our installation videos. Be sure to subscribe to our channel to stay up-to-date on the newest products and videos from Diode Dynamics!

YouTube



### This installation guide is for the following SKUs:

Jeep Jk Wrangler S55 CrossLink Bumper LED Pod Kit, White Combo (DD7274 Sport, DD7275 Pro)  
 Jeep Jk Wrangler S55 CrossLink Bumper LED Pod Kit, White Driving (DD7276 Sport, DD7277 Pro)  
 Jeep Jk Wrangler S55 CrossLink Bumper LED Pod Kit, Yellow Combo (DD7284 Sport, DD7285 Pro)  
 Jeep Jk Wrangler S55 CrossLink Bumper LED Pod Kit, Yellow Driving (DD7286 Sport, DD7287 Pro)  
 Jeep Jk Wrangler S55 CrossLink Grille Lightbar Kit, White Combo (DD7229 Sport, DD7272 Pro)  
 Jeep Jk Wrangler S55 CrossLink Grille Lightbar Kit, Yellow Combo (DD7230 Sport, DD7273 Pro)

**STAGE  
SERIES**  
RALLY-QUALIFIED LED LIGHTING

**Jeep JK Wrangler**  
**SS5 CrossLink Bumper/Grille Kit**



Thank you for your purchase of our new SS5 CrossLink Bumper/Grille Kit. CAD-designed to use existing mounting points, this kit is compatible with the 2007-2018 Jeep JK Wrangler. Installation instructions are included inside.

**Please contact us if you have any questions.**

**Tools Needed:** Trim removal tool, ratchet, 10mm socket, drill, 10mm drill bit, 10mm wrench, 5mm Allen key, 4mm Allen key

ASSEMBLED IN  
**USA**  
COMPUTER DESIGNED  
**OEM FITMENT**

*See inside for instructions.*





1. Using a plastic trim removal tool, remove the two push-rivets securing the bumper trim panel. Remove the panel. It will not be reused.



2. Open the hood. Using a trim removal tool, remove the six push-rivets across the top of the grille.

3. Gently lift the top of the grille up and away from the vehicle, over any obstructions.



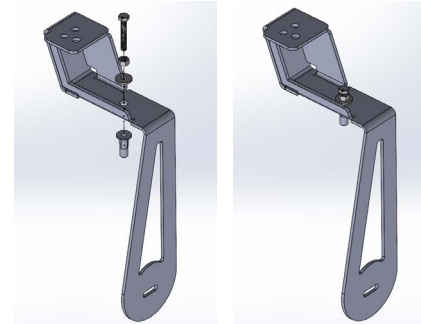
4. From each side, grab the grille through the lower-inside edge of the headlight opening and the bottom of the grille. Pull straight out, and then unplug the turn signal to fully release the grille.



5. Using a plastic trim removal tool, remove the four plastic push-rivets across the front of the front underbody cladding. Then remove the two plastic push-rivets on the rear.



6. Drill the existing hole on top of the frame rail to 10mm (or 25/64") in diameter on each side.



Driver-side bracket

**RIVNUT INSTALLATION:** If you have a rivnut installation tool, follow the tool's instructions to install the included M6 rivnuts in the drilled holes, then skip to step 12. Otherwise continue to step 7.

7. Assemble the 40mm M6 screw, nut, washer, and rivnut onto the base bracket as shown in the diagrams to the left. Ensure that there is full thread engagement on the rivnut, and that the nut and rivnut are snug to the bracket.



8. Place the bracket on the frame rail such that the rivnut is in the drilled hole. Use a 10mm socket and wrench with the included M6 20mm flange bolt, oversized square washer, and flange nut to secure the bracket to the lower portion of the frame rail.



9. Facing down, towards the bracket, use a 10mm wrench to turn the M6 nut clockwise (traveling down the screw) while holding the screw in place with a 10mm socket or wrench. This will pull the rivnut up to the bracket, securing it to the frame rail.

10. When you can no longer turn the nut, remove the screw from the rivnut, unbolt the bracket, and remove the bracket. Loosely thread the screw back into the rivnut and pull outward to confirm it is securely installed into the frame rail. If the rivnut pulls out, repeat steps 7 through 9 to reinstall.

*See back for further instructions.*