

## CAN-AM Defender / Defender Max Dashboard Removable Storage

Thank you for choosing Rough Country for all your vehicle needs.

Please read instructions before beginning installation. Check the kit hardware against the kit contents shown below. Be sure you have all needed parts and know where they go.

If question exist, please call us @1-800-222-7023. We will be happy to answer any questions concerning this product. Check all fasteners for proper torque. Check to ensure for adequate clearance between all components. Periodically check all hardware for tightness.

### BEFORE YOU BEGIN

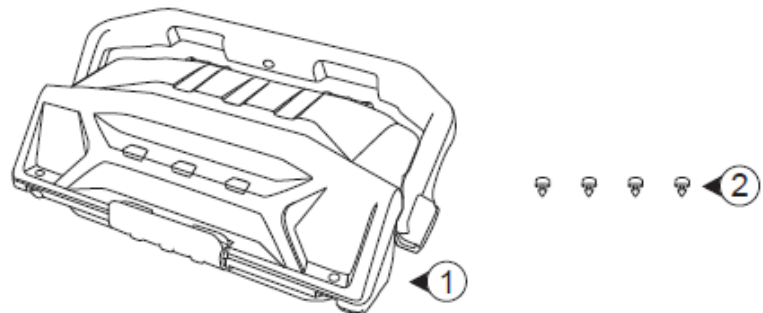
1. Read these instructions and check to be sure all parts and tools are accounted for.
2. Please retain these installation instructions for future reference and parts ordering information.

### IMPORTANT

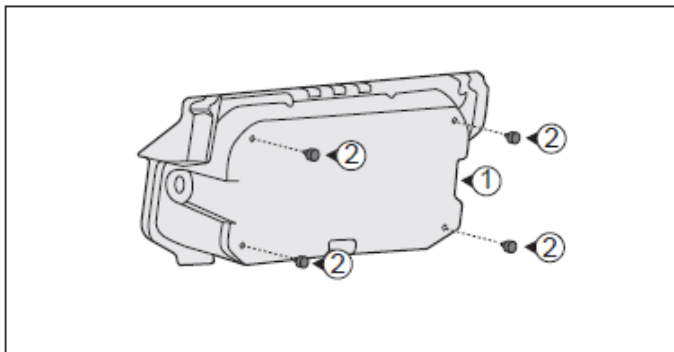
1. Please read the installation instructions carefully before you start.
2. If the vehicle is clean and free of other debris, it will be easy to install.
3. For your safety and to ensure a satisfactory installation, please complete all the installation steps in the order shown below.

### PRODUCT INFORMATION:

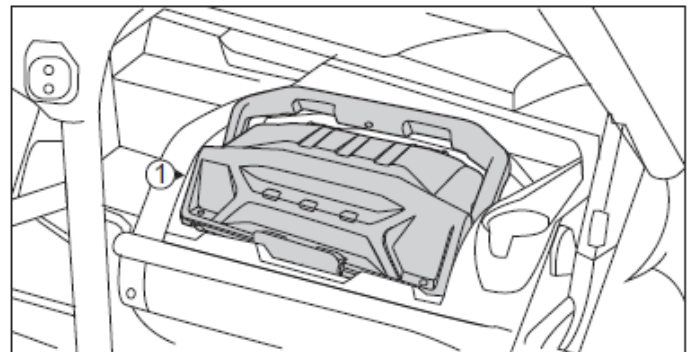
- |                  |    |
|------------------|----|
| 1. Storage Box   | x1 |
| 2. Rubber Bumper | x4 |



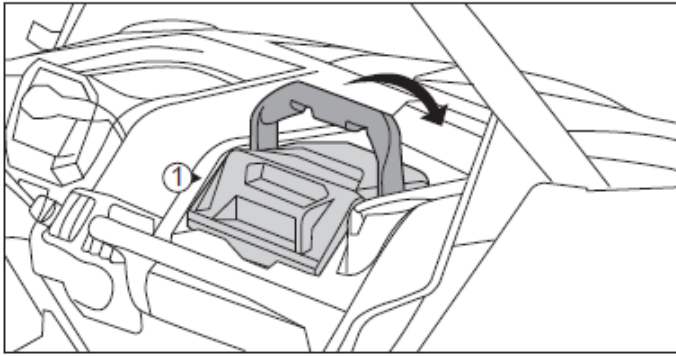
### INSTALLATION TIPS:



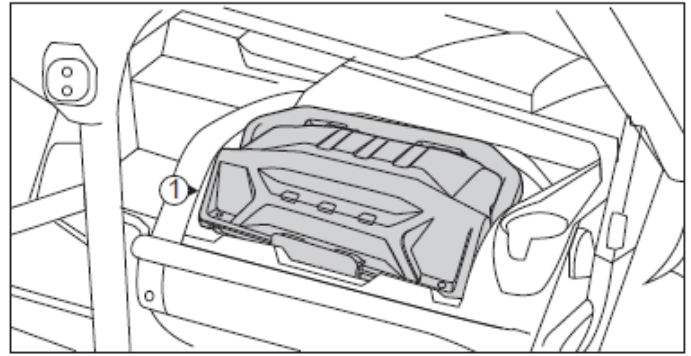
1. Insert four rubber bumpers [2] in the base of storage box [1].



2. Install the storage box [1] on vehicle with its handle in upper position.



3. Secure the storage box [1] by lowering the handle.



4. Finish installation.

By purchasing any item sold by Rough Country, LLC, the buyer expressly warrants that he/she is in compliance with all applicable, State, and Local laws and regulations regarding the purchase, ownership, and use of the item. It shall be the buyers responsibility to comply with all Federal, State and Local laws governing the sales of any items listed, illustrated or sold. The buyer expressly agrees to indemnify and hold harmless Rough Country, LLC for all claims resulting directly or indirectly from the purchase, ownership, or use of the items.

