

THE INFORMATION CONTAINED IN THIS DRAWING IS THE SOLE PROPERTY OF SYNERGY MFG. ANY REPRODUCTION IN PART OR WHOLE WITHOUT THE WRITTEN PERMISSION OF SYNERGY MFG IS PROHIBITED.

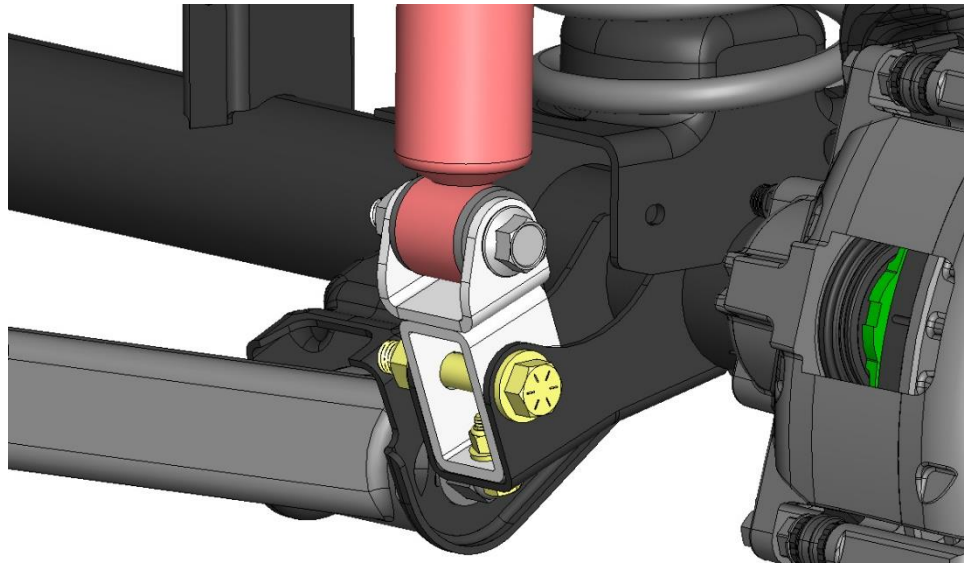
Revisions			
Rev.	Description	Date	Approved
A	Initial Release Per ECO 18-079	8/3/2018	KB



JEEP JL FRONT LOWER SHOCK EXTENSIONS

Installation Instructions

Applications:
2018+ Jeep Wrangler (JL)



TITLE:
JEEP WRANGLER JL FRONT LOWER SHOCK EXTENSIONS

SIZE	DWG NO:	REV
A	8815-01-INST	A
SCALE: N/A		PAGE 1 OF 5



JEEP WRANGLER JL FRONT LOWER SHOCK EXTENSIONS INSTALLATION INSTRUCTIONS

Thank you for purchasing the best aftermarket products available for your vehicle. We strongly feel that the parts you are about to install should meet or exceed your expectations for performance. Proper assembly is critical to the performance of these components and the vehicle as a whole. Please take the time to carefully read these instructions and familiarize yourself with the installation procedure before working on your vehicle. If you have any questions PLEASE contact Synergy Manufacturing BEFORE beginning installation. Thanks again for supporting Synergy – enjoy the performance benefits of the best aftermarket products available for your vehicle!

Synergy Manufacturing
Phone: (805) 242-0397
Email: support@synergymfg.com

Modifying or otherwise altering vehicle components may cause the vehicle to handle differently than originally designed. It is the driver's responsibility to familiarize themselves with the performance and handling characteristics of the modified vehicle. Vehicles with larger diameter than stock tires must be driven carefully and cannot be expected to perform as stock or meet OEM performance with regard to handling, braking or crash performance. Ensure all replacement components are compatible with vehicle capacities so as not to overload components, especially tires. It is up to the individual to ensure that the vehicle and all components are compatible with the intended vehicle use, including load ratings, road conditions, and driver abilities. Thorough and frequent vehicle inspections are recommended to ensure a safe and reliable state of readiness, especially after off-highway use.



PARTS LIST

8815-01 JEEP WRANGLER FRONT LOWER SHOCK EXTENSIONS		
QTY	Part Number	Description
2	8815-01	JEEP JL FRONT LOWER SHOCK EXTENSIONS
2	-	5/16-18 x 1.0" GRADE 8 BOLT
2	-	5/16-18 NYLOCK NUT
4	-	5/16 GRADE 8 FLAT WASHER
2	-	1/2-13 x 3.0" GRADE 8 BOLT
2	-	1/2-13 NYLOCK NUT
4	-	½ GRADE 8 FLAT WASHER

GENERAL NOTES

- These instructions are also available on our website; www.synergymfg.com. Check the website before you begin for any updated instructions and additional photos for your reference.
- The shock extensions require 2" of bump stop spacing when used with stock shocks.
- When using the shock extensions with aftermarket shocks the springs should be removed and the suspension cycled to full bump to ensure the bump stops are fully compressing before the shock.

TOOLS REQUIRED

- Metric and SAE sockets and wrenches.
- Prybar
- Floor jack and jack stands
- Hammer

ESTIMATED INSTALLATION TIME

1/2 Hour

INSTALLATION

1. You do not have to remove the wheels and tires for installation, but it will give you more room to work with.
2. Loosen and remove the lower shock mounting bolts (18mm hex) on each side and pull the shocks out from the lower axle mounts. See **Figure 1**.



Figure 1. Removing Lower Shock Bolt

3. Install the new front lower shock extensions inside the stock OEM shock mounts on the axle. The upper mounting ears go forward as in **Figure 2**.



Figure 2. Shock Extensions Installed

4. Loosely install the 1/2-13 x 3" long bolt, 2 washers, and a 1/2-13 top lock nut through the stock shock eyelet on the axle mounts. Then install the 5/16-18 x 1" and washer up from the bottom and 5/16-18 top lock nut and washer on top. Repeat for the other side. See **Figure 3**.



Figure 3. Bolts Loosely Installed

5. Torque all the bolts at this point.
 - 1/2" hardware torque to 35lb-ft
 - 5/16" hardware torque to 20lb-ft
6. Bolt the shocks into the upper mounting ears. A prybar and round punch can be helpful to line the shock eyelet up with the hole in the mounting ears. Reuse the OEM shock bolts and torque to 74lb-ft. Repeat for the other side. See **Figure 5**.



**Figure 5. Bolting Shock to Extension
Installation is Complete**