

Owner's Manual with Installation Instructions

Banks Derringer® Tuner

2011-2019 Ford 6.7L Power Stroke



Step-by-step installation video:



iPhone: Point camera at QR code.

Android/Windows: Use QR app or type URL into browser.

<https://www.bankspower.com/v/install-ford-67l-derringer>

Gale Banks Engineering
546 Duggan Avenue • Azusa, CA 91702
(626) 969-9600 • Fax (626) 334-1743

Product Information & Sales: (888) 635-4565
Customer Support: (888) 839-5600
Installation Support: (888) 839-2700

bankspower.com

General Installation Practices

Dear Customer,

If you have any questions concerning the installation of your Banks Derringer Tuner, please call our Technical Service Hotline at (888) 839-2700 between 8:00 a.m. and 4:00 p.m. (P.T.). If you have any questions relating to shipping or billing, please contact our Customer Service Department at (888) 839-5600.

Thank you.

1. Before starting work, familiarize yourself with the installation procedure by reading all of the instructions.
2. The exploded views (**Pages 8-10**) provides only general guidance. Refer to each step and section diagram in this manual for proper instruction.
3. Throughout this manual, the left side of the vehicle refers to the driver's side, and the right side to the passenger's side.

4. Disconnect the negative (ground) cable from the battery (or batteries, if there are more than one) before beginning work. The OEM battery clamp can be removed using a 10mm socket or wrench.

5. Route and tie wires and hoses a minimum of 6" away from exhaust heat, moving parts and sharp edges. Clearance of 8" or more is recommended where possible.

6. During installation, keep the work area clean. Do not allow anything to be dropped into intake, exhaust, or lubrication system components while performing the installation, as foreign objects will cause immediate engine damage upon start-up.

CAUTION! Do not use floor jacks to support the vehicle while working under it. Do not raise the vehicle onto concrete blocks, masonry or any other item not intended specifically for this use.

Disclaimers

THIS IS A HIGH PERFORMANCE PRODUCT. USE AT YOUR OWN RISK. Do not use this product until you have carefully read the following agreement.

This sets forth the terms and conditions for the use of this product. The installation of this product indicates that the BUYER has read and understands this agreement and accepts its terms and conditions.

Disclaimer of Liability

Gale Banks Engineering Inc. and its distributors, employees, and dealers (hereafter "**SELLER**") shall in no way be responsible for the product's proper use and service. The **BUYER** hereby waives all liability claims.

The **BUYER** acknowledges that he/she is not relying on the **SELLER**'s skill or judgment to select or furnish goods suitable for any particular purpose and that there are no liabilities which extended beyond the description on the face hereof and the **BUYER** hereby waives all remedies or liabilities, expressed or implied, arising by law or otherwise, (including without

Disclaimers *CONTINUED*

any obligations of the **SELLER** with respect to fitness, merchantability, and consequential damages) whether or not occasioned by the **SELLER's** negligence. The **BUYER** is responsible to fully understand the capability and limitations of his/her vehicle according to manufacturer specifications and agrees to hold the **SELLER** harmless from any damage resulting from the failure to adhere to such specifications.

The **SELLER** disclaims any warranty and expressly disclaims any liability for personal injury or damages.

The **BUYER** acknowledges and agrees that the disclaimer of any liability for personal injury is a material term for this agreement and the **BUYER** agrees to indemnify the **SELLER** and to hold the **SELLER** harmless from any claim related to the item of the equipment purchased. Under no circumstances will the **SELLER** be liable for any damages or expenses by reason of the use or sale of any such equipment.

The **BUYER** is responsible to obey all applicable federal, state, and local laws, statutes, and ordinances when operating his/her vehicle, and the **BUYER** agrees to hold **SELLER** harmless from any violation thereof.

The **SELLER** assumes no liability regarding the improper installation or misapplication of its products. It is the installer's responsibility to check for proper installation and if in doubt, contact the manufacturer.

The **BUYER** is solely responsible for all warranty issues from the automotive manufacturer.

Limitation of Warranty

Gale Banks Engineering Inc. (hereafter "**SELLER**"), gives Limited Warranty as to description, quality, merchantability, fitness for any particular purpose, productiveness, or any other matter of **SELLER's** product sold herewith. The **SELLER** shall be in no way responsible

for the product's open use and service and the **BUYER** hereby waives all rights except those expressly written herein. This Warranty shall not be extended or varied except by written instrument signed by **SELLER & BUYER**.

Please see enclosed warranty information card, or go to **www.bankspower.com/warranty** for warranty information regarding your product. All products that are in question of Warranty must be returned shipping prepaid to the **SELLER** and must be accompanied by a dated proof of purchase receipt. All Warranty claims are subject to approval by Gale Banks Engineering Inc.

Under no circumstance shall the **SELLER** be liable for any labor charged or travel time incurred in diagnosis for defects, removal, or reinstallation of this product, or any other contingent expense.

Under no circumstances will the **SELLER** be liable for any damage or expenses incurred by reason of the use or sale of any such equipment.

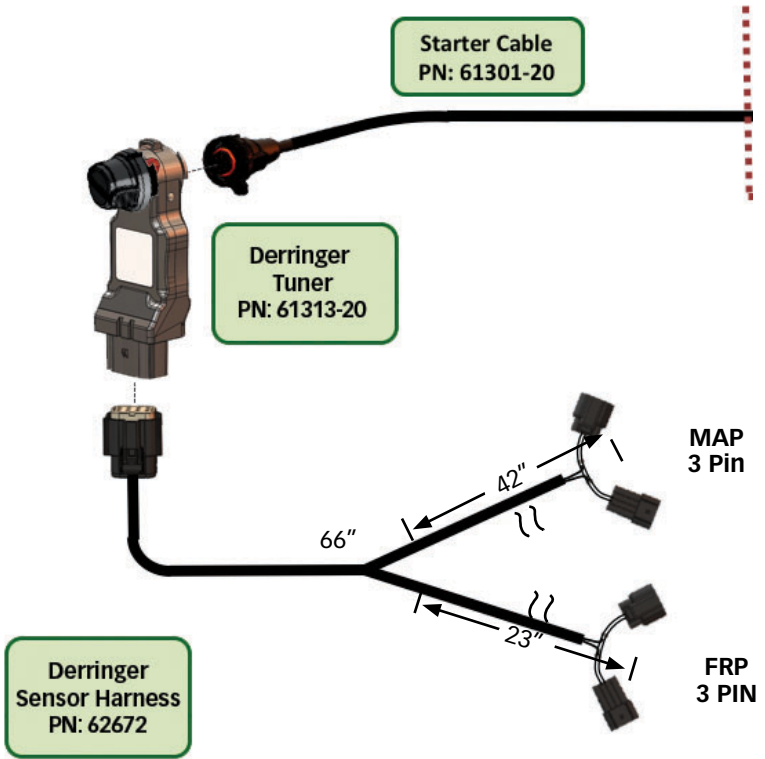
IN THE EVENT THAT THE BUYER DOES NOT AGREE WITH THIS AGREEMENT:

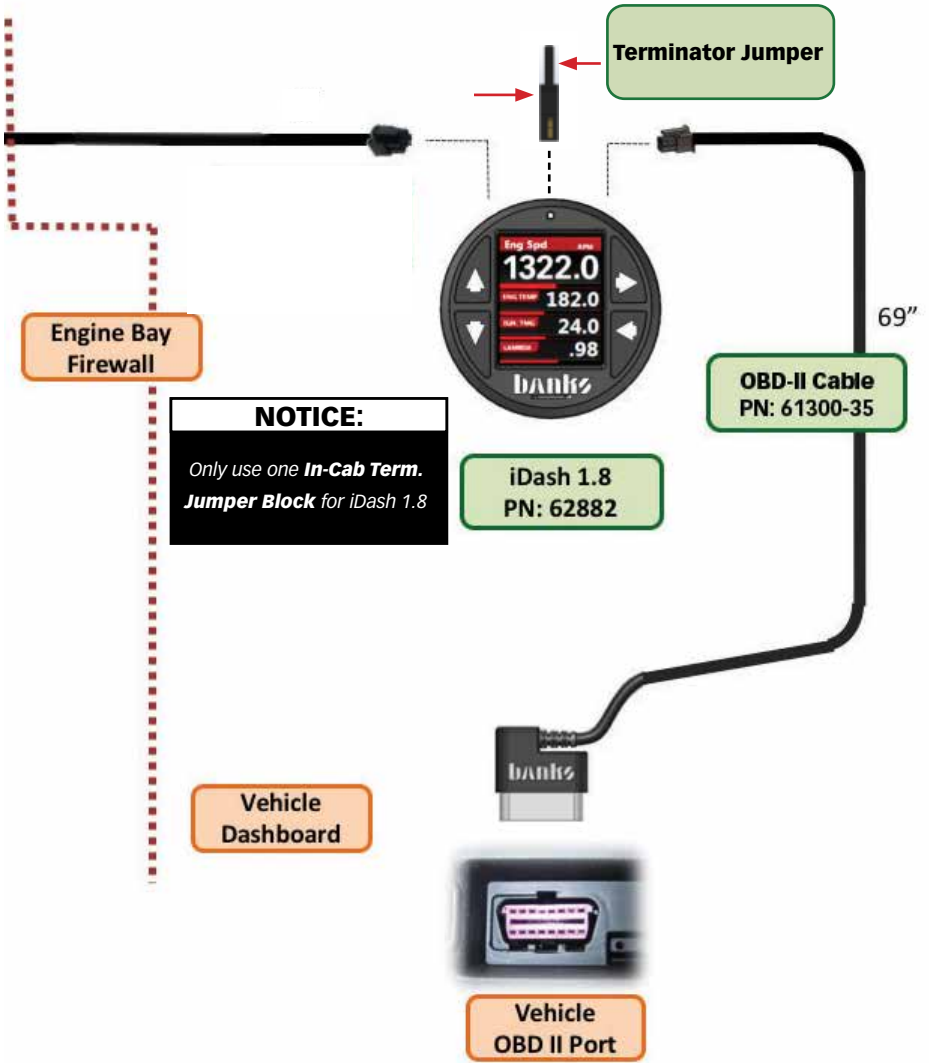
The **BUYER** may promptly return this product, in a new and unused condition, with a dated proof-of-purchase, to the place-of-purchase within thirty (30) days from date-of-purchase for a full refund, less shipping and/or restocking fee.

The installation of this product indicates that the **BUYER** has read and understands this agreement and accepts its terms and conditions.

Section 1.1 Wiring Diagram

iDASH 1.8" CONFIGURATION





Section 1.2

DERRINGER SENSOR HARNESS INSTALLATION

Required Tools & Materials

- Zip-ties (6" or longer)
- Wire Coat Hanger
- Exacto Knife (or equivalent)
- Electrical Tape



WARNING!



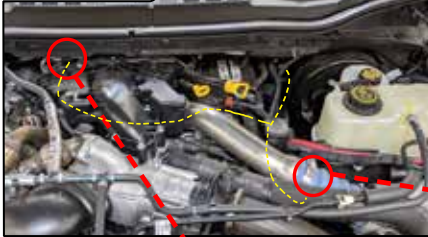
Ensure the engine bay is cool

Remove keys from the ignition.



Disconnect the battery GROUND (-) cables (Figure 1.2-4). Secure the cables so that they do not come in contact with the battery posts during the installation.

Figure 1.2-2



1. Ensure the Engine Control Module (ECM) is not powered by disconnecting the batteries. If the ECM is powered on with sensors disconnected, the vehicle will have Diagnostic Trouble Codes (DTCs).
2. Locate the MAP (Manifold Air Pressure) sensor, on the top of the intake manifold near the windshield cowl.
3. Locate the FRP (fuel pressure sensor). It is below the blue coupling on the intercooler tube, at the end of the common fuel rail. The common fuel rail runs alongside the valve cover on the drivers side.
4. Route the Derringer sensor harness (Fig 1.2-2) and connect the female connectors to the sensors and male connectors to the OEM harness.

NOTE: The ECU is powered on when the sensors are disconnected, your vehicle will show diagnostic trouble codes.



NOTE: OEM FRP connector latch must be facing same direction as Banks logo.

Section 1.2

STARTER CABLE FIREWALL INSTALLATION

1. Route the Starter Cable through the firewall.

A. Locate the OEM wire harness grommet on the driver side firewall, and make an incision on the grommet near the outer edge from the engine bay side (Fig 1.2-3).



CAUTION

Ensure the cut is made away from the harness to avoid cutting or damaging the wires.

B. Make a small hook on the end of the straightened wire coat hanger. Loop the hook around the Starter Cable (Fig 1.2-5) and wrap it with electrical tape to secure the ends.

C. From the engine bay side, push the wire coat hanger through the incision in the grommet, starting with the opposite side of the hook. Pull the wire coat hanger from inside of the cab, so that the Starter Cable goes through the firewall.

D. Ensure there is enough of the Starter Cable length in the cab (~ 4ft) to route to the iDash 1.8 or Switch.

Figure 1.2-3

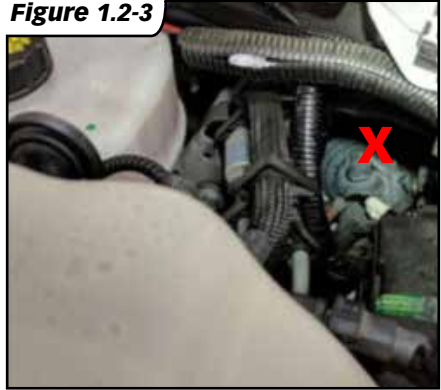


Figure 1.2-4

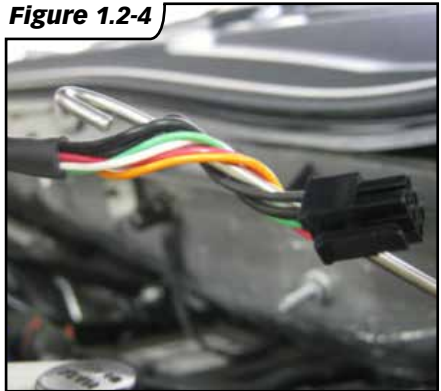


Figure 1.2-5

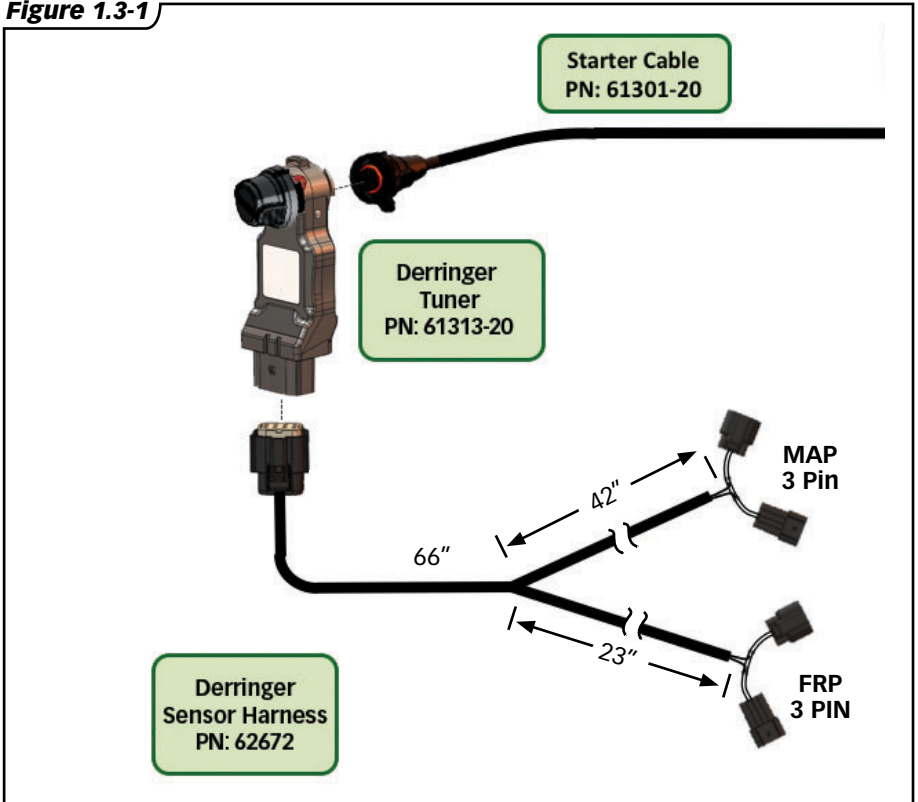


Section 1.3

DERRINGER TUNER INSTALLATION

1. Connect the **Derringer Tuner** to the **Derringer Sensor Harness** and the **Starter Cable**. See **Figure 1.3-1**.

Figure 1.3-1



Section 1.3

DERRINGER TUNER INSTALLATION, CONTINUED

2. Rotate the locking ring counter-clockwise towards the 12 o'clock position then connect the mating ends together ensuring proper alignment using the 12 o'clock marks. See **Figure 1.3-2**

Figure 1.3-2



3. Then rotate the locking ring clockwise until you feel a click. See **Figure 1.3-3**.

Figure 1.3-3

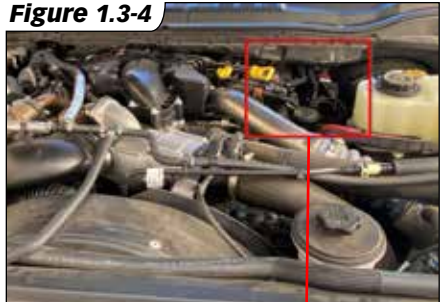


4. Locate a place to secure the Derringer module near or along the fender, then zip-tie it in place. Ensure the LED indicator is viewable in the selected location. Secure any extra cable of the Derringer Sensor Harness without pinching the harness.

NOTE: The pictured mounting location of the Derringer Tuner is optional. It is best to mount it close to the firewall and route the harness along the OEM harness.

5. Check all connectors for proper installation, then connect the battery terminal(s). See **Figure 1.3-4**

Figure 1.3-4



PLEASE NOTE: Derringer should be tucked in toward the firewall.

Section 1.4

IN-CAB INSTALLATION

1. Plug the OBD-II Cable into the OBD-II port located under the dash. See **Figure 1.4-1**.

Figure 1.4-1



2. Route the Starter Cable and OBD-II Cable to the dash.

3. Remove any excess wire. If using a screwdriver, cover metal with cloth or tape to prevent marring the side panel. See **Figure 1.4-2, 1.4-3**.

Figure 1.4-2



Figure 1.4-3



Section 1.4

IN-CAB INSTALLATION, CONTINUED

For The Stand-Alone Tuner Configuration with Switch

1. Connect the Switch Cable to the Starter Cable and OBD-II Cable. See **Figure 1.4-4, 1.4-5.**

Figure 1.4-9

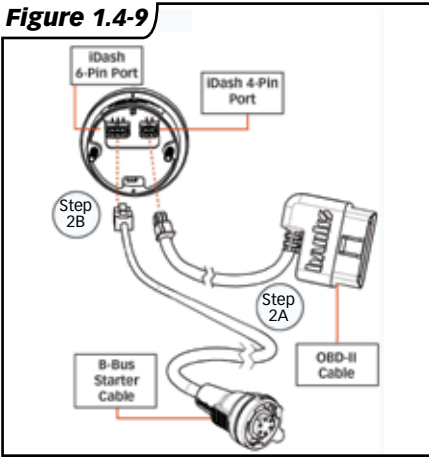
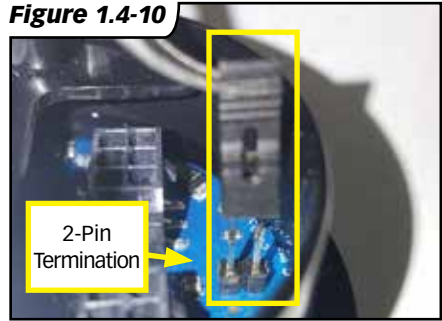


Figure 1.4-10



3. Connect the Y-Cable to the 6-pin port of the first and second iDash 1.8 (**without the Terminator Jumper**). See **Figure 1.4-11**

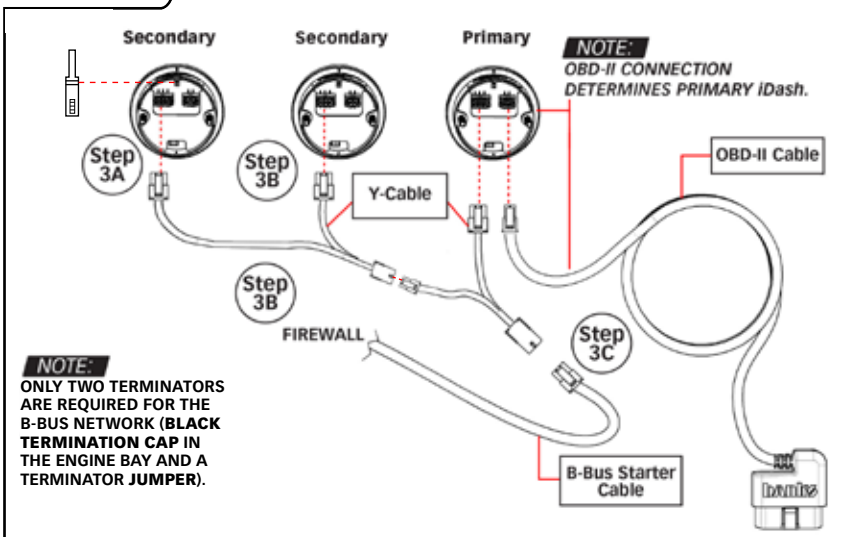
A. Connect the Starter Cable to the Y-Cable. See **Figure 1.4-11, Step 3C**

B. Remove extra Terminator Jumpers from the secondary iDash 2-Pin terminations. See **Figure 1.4-10.**

NOTE: Only one Jumper is required.

4. Install the iDash 1.8 in an A-pillar mount or a suction cup windshield-mount gauge-pod.

Figure 1.4-11



Section 1.5

DERRINGER TUNER CONNECTION CHECK

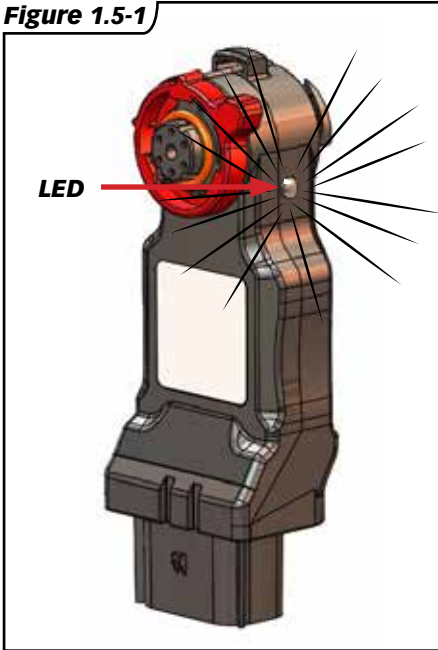
Check for proper device operation.

1. While the engine is running, check the LED indicator on the Derringer.

A. Under proper operation the LED will flash GREEN if the engine coolant temp is cold, and then go to a solid green once the engine warms up.

B. If the LED is always off or blinking RED refer to “**Section 3: Troubleshooting**” on page 24.

Figure 1.5-1



2. If connected to the iDash 1.8, load the “**Derringer**” layout (See **Figure 1.5-2**) and use the **UP** and **DOWN** arrow buttons to adjust the power level settings. See **Figure 2-1**.

If the power level cannot be adjusted, refer to “**Section 3: Troubleshooting**” on page 24.

Figure 1.5-2



Section 2.0

DERRINGER TUNER OPERATION

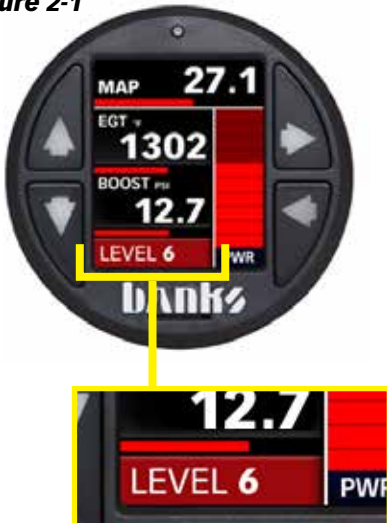
Setting Desired Power Level:

The Derringer is equipped with multiple power levels. You can set the desired power level while the engine is running but it is recommended that you do not switch the power level under high load applications.

iDash 1.8 configuration:

When the Derringer is connected to an iDash 1.8, there are a total of 6 power levels (level 6, 5, 4, 3, 2 and stock). The power level can be changed by pressing the **UP** and **DOWN** buttons at any time. If you have the derringer layout loaded, you will see the power level change at the bottom left corner (See **Figure 2-1**). If you have any other layout loaded, a message box will pop up to notify you of the power level change.

Figure 2-1



SPORT MODE/LEVEL 6

This mode is to be used when peak engine performance is required. This mode has been optimized for maximum power output along with improved turbo response by tuning fuel delivery and boost.

PLUS MODE/LEVEL 3

The plus calibration is designed for use in everyday driving. This power level adds a noticeable punch under high load acceleration by improving turbo response and power. Power in this mode can be sustained for a prolonged duration.

STOCK MODE

Stock mode turns OFF your Derringer tuner. Throttle response and power return to stock levels.

Banks ActiveSafety®

Anytime aftermarket electronics are introduced to your vehicle, it is important to know that they are not going to cause damage. Banks builds in a suite of ActiveSafety features to safeguard your vehicle:

- » Software that monitors and diagnoses itself to ensure proper function.
- » Self-monitoring hardware that provides automatic bypass should something malfunction.

The Derringer Tuner module monitors multiple parameters and adjusts its output controls to protect the driveline. The Derringer Tuner monitors engine coolant temperature (ECT) and will limit the additional power that it provides anytime the ECT is outside of optimal operating range to protect the engine.

Section 2.0

DERRINGER TUNER OPERATION, CONTINUED

Power Added (%):

If connected to an iDash 1.8 while displaying the “**Derringer**” layout, the vertical bar graph on the right hand side represents, in real-time, how much power the Derringer is adding (See **Figure 2-2**). In **Stock Mode** there will be no change to the bar graph and in **Sport Mode/Level 6** the bar graph will reach 100% under proper operating conditions. Percent power added is effected by safety features such as Engine Coolant Temperature, Exhaust Gas Temperature, Regen., and various transmission parameters, so it might not always fully reach 100%. The “**Power Added**” data can also be displayed on ANY layout as a numeric value by selecting it from the “**Derringer**” category of parameters.

Figure 2-2



Automatic Transmission Learning:

6.7L Ford Trucks equipped with the 6R140 6-speed automatic transmission use an adaptive shift control logic. After initial installation of the Derringer Tuner, wide open throttle shifts may feel soft when switching to higher power levels. Also, when switching to lower power levels, shifting may feel harsher. Continued use at a single power level will provide more consistent shifting performance.

To accelerate the learning process perform the following sequence at a location where it is safe to accelerate without exceeding the posted speed limit.

- 1.** Set the Derringer Tuner to **Stock Mode** power setting, start the truck and allow the engine to reach normal operating temperature.
- 2.** Adjust the Derringer Tuner to **Plus Mode/Level 3** power setting.
- 3.** Drive your vehicle for 5-10 miles, ensuring a complete shift cycle through each gear (The transmission shift learning process requires 15-30 complete shift cycles to learn a new shift program).
- 4.** Increase power level to **Sport Mode/Level 6** and repeat **Step 3**.

Section 3.0

TROUBLESHOOTING

Derringer Power Mode

When the Derringer Tuner is initially powered on, the LED flashes ORANGE for the first 30 seconds to indicate the Power Mode. Power Mode can aid in diagnosing harness connection or hardware issues; can be determined by counting the number of ORANGE flashes, the sequence will repeat after a 4 second pause.

Code	Mode	Description
1	OBD Wait	Waiting for 12v Ign Switch Input from OBD
2	OBD CAN	Standalone/Switch Configuration
3	Banks Bus Wait	Waiting for 12v Ign Switch Input from iDash
4	Banks Bus	iDash Configuration

Normal Operation

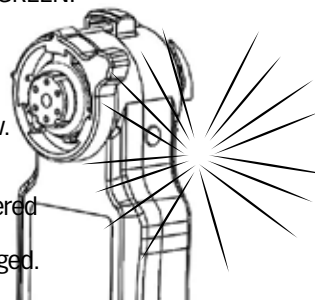
Your Derringer Tuner has a built-in, self-diagnostic system. The status of the Derringer system is communicated via the LED on the module. When the Derringer Tuner is functioning properly the LED will be solid GREEN.

Normal Engine Operation Temperature

The engine coolant temperature must be between 150°F and 230°F to achieve full power increase. Derringer Tuner LED flashes GREEN if the vehicle is outside this temperature window.

Derringer Not Powered

When the LED is not illuminated, the Derringer Tuner is not powered on. If the ignition is on and the LED is not illuminated, check the MAP connections on the vehicle and ensure they are fully engaged.



No Communication with iDash 1.8

Check that your wiring matches the figure in **Section 1.1 Wiring Diagram: iDash 1.8" Configuration** (See **page 10**) or for multiple iDash 1.8 Gauges see **Figure 15** on **page 17**. Common sources of communication errors are wrong caps attached to the Derringer and/or the Terminator Jumper is not installed. A Black Termination Cap must be connected to the Derringer in correct orientation when used with iDash 1.8's.

LED Error Code

When faults are detected, the Derringer Tuner will flash diagnostic code. Diagnostic codes are comprised of 2 digits. Each digit is expressed by the flashing RED LED. A code can be determined by counting the number of RED flashes displayed before the LED flashes GREEN for the first digit and the number of RED flashes after the LED flashes GREEN for the second digit. After the diagnostic code is displayed, additional codes will be displayed in sequence, separated by 4 seconds with the LED off. Once all codes are displayed the Derringer will begin sending the codes again. Once you have written down all diagnostic codes being displayed, consult the following tables for a description of the code along with the action to be taken.

iDash Display Error Code

If error code "D-ERR!" appears on the iDash, refer to the following to display the code and description: **Settings > Diagnostics > Select the module that is giving the error**

Section 3.0

TROUBLESHOOTING

62670 Derringer Tuner (Ford 6.7L application)

Code	Event	Course of Action
1,1	Fuel Rail Pressure (FRP) Input Voltage Out of Range.	Turn ignition OFF & check the male and female FRP sensor connectors. Turn ignition back ON & re-check for presence of code. If code does not re-appear at key ON, start engine & check for presence of code both at engine idle & under varying driving conditions.
1,2	Manifold Absolute Pressure (MAP) Input Voltage Out of Range.	Turn ignition OFF & check the male & female MAP sensor connectors. Turn ignition back ON & re-check for presence of code. If code does not re-appear at key ON, start engine & check for presence of code both at engine idle & under varying driving conditions.
2,1	Fuel Rail Pressure (FRP) Output Voltage Out of Range.	Turn ignition OFF & check the male & female FRP sensor connectors. Turn ignition back ON & re-check for presence of code. If code does not re-appear at key ON, start engine & check for presence of code both at engine idle & under varying driving conditions.
2,2	Manifold Absolute Pressure (MAP) Output Voltage Out of Range	Turn ignition OFF & check the male & female MAP sensor connectors. Turn Ignition back ON & re-check for presence of code. If code does not re-appear at key ON, start engine & check for presence of code both at engine idle & under varying driving conditions.
3,2	Internal Module Malfunction or Intermittent Power.	Turn ignition OFF & check the male and female MAP sensor connectors. Turn ignition back ON & re-check for presence of code. If code does not re-appear at key ON, start engine & check for presence of code both at engine idle & under varying driving conditions.
3,3	CPU Over Temp Limit	CPU over temperature limit exceeds 125°C (257°F). Turn ignition OFF & allow several minutes to let the CPU cool. Turn ignition back ON & re-check for presence of code. If code does not re-appear at key ON, start engine & check for presence of code both at engine idle & under varying driving conditions.
3,4	OBD-II CAN Communication error	Turn ignition OFF & check the following connections (as applicable): 1) 61300-35 OBD-II Interface Cable - at 16-pin vehicle OBD-II & 4-pin inter-cable connectors.
3,5	Banks Bus CAN Communication error	2) 61301-21 Y-Adapter Cable - at 4-pin inter-cable & 6-pin inter-cable connectors. 3) 61301-20 B-Bus Starter Cable - at 6-pin inter-cable & 6-pin B-Bus Circular connectors. 4) 61300-22 B-Bus Terminator Plug - at 6-pin B-Bus Circular connector. Turn ignition back ON & re-check for presence of code. If code does not re-appear at key ON, start engine & check for presence of code both at engine idle & under varying driving conditions.

Section 3.0: TROUBLESHOOTING

62670 Derringer Tuner (Ford 6.7L application) cont'd

Code	Event	Course of Action
4,2	Excessive Transmission Slip Detected	Ensure transmission fluid level is correct and the fluid condition is inspected. If any vehicle DTC's are set, follow the OEM diagnostic guide to address the DTC's that are present. Derringer must be power cycled to reset this fault code. Reduce vehicle load and/or power level to aide troubleshooting. Persistent fault code will require further inspection/repair by qualified technician.
4,4	Excessive Torque Converter Clutch Slip Detected	Ensure transmission fluid level is correct and the fluid condition is inspected. Replace/fill if necessary. If any vehicle DTC's are set, follow the OEM diagnostic guide to address the DTC's that are present. Derringer must be power cycled to reset this fault code. Reduce vehicle load and/or power level to aide troubleshooting. Persistent fault code will require further inspection/repair by qualified technician.

Section 4.0: BANKS POWER DECALS

Figure 4-1



Gale Banks Engineering
546 Duggan Avenue • Azusa, ca 91702
(626) 969-9600 • Fax (626) 334-1743
Product Information & Sales: (888) 635-4565
Customer Support: (888) 839-5600
Installation Support: (888) 839-2700
bankspower.com